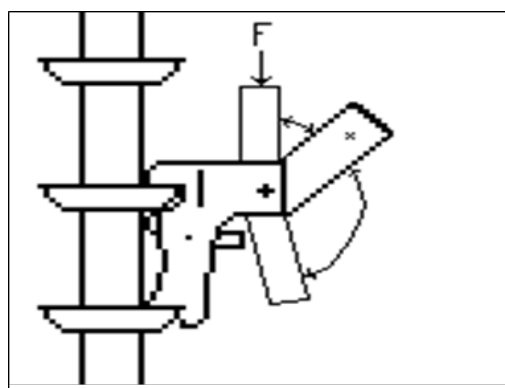
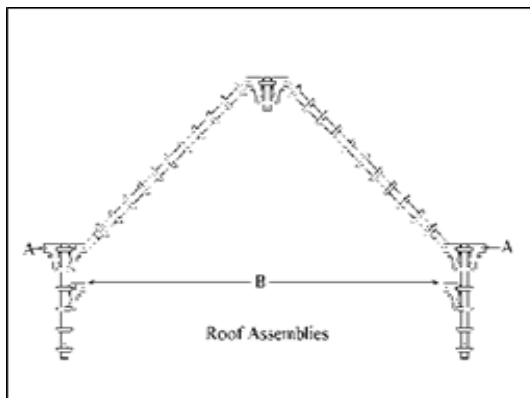


EXCEL MODULAR ROOF ADAPTER



Note: Support must be added at point "A" or "B" to prevent the verticals from spreading apart.

Part Number	Description	Maximum Allowable Load = F (lbs.)	Galvanized Weight (lbs.)
RA	Roof Adapter	1,000	5.8

Note:

When covering scaffold with plastic, tarps or other types of solid material, the user must consider all wind and or snow loading. Excel recommends that all users consult with an Excel Engineer to ensure proper bracing for the maximum expected wind or snow loads.

<<< CAUTION: There is a pinch point located where the beam sides are located on the clamp.>>>

Workers should not pass vertical legs with the roof adapters installed. They should be passed separately.