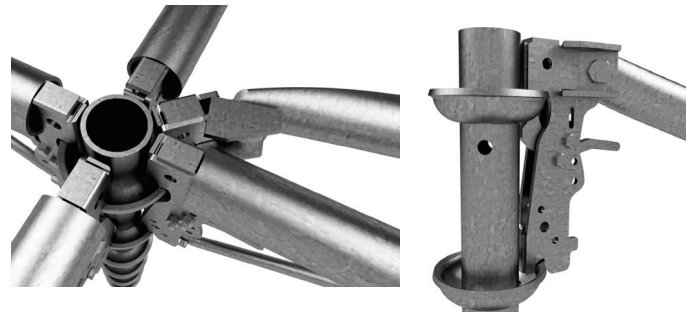
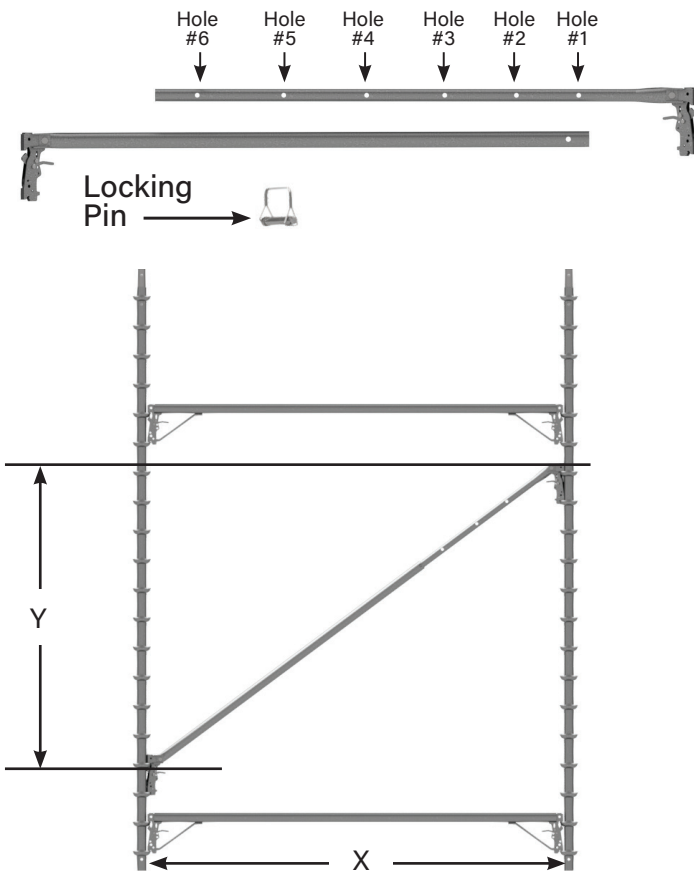


EXCEL MODULAR DIAGONAL EXTENDABLE BRACE (NO LONGER IN PRODUCTION)

Part Number	Description	Fits Post Spacing (inches)	Tube Length (inches)	Weight Galvanized (lbs.)
DEB	Diagonal Extendable Brace	48 - 108	65	29
Bearer Description		X Coordinate	Y Coordinate	Hole Location
4' Bearer, 5-Plank Bearer		48	58.92	Hole #1
5' Bearer, 6-Plank Bearer		60	58.07	Hole #2
6' Bearer		72	57.27	Hole #3
7' Bearer		84	56.53	Hole #4
8' Ledger		96	56.71	Hole #4
9' Ledger		108	27.72	Hole #6



Diagonal extendable braces have a trigger on each end and adjust to fit bay sizes from 48 inches to 108 inches. They fit in line with the horizontals two (2) cups below and above the standard board wraps.

MATERIAL SPECS:

1. Inner length is the length of tubing required to manufacture the inner tube.
2. Outer length is the length of tubing required to manufacture the outer tube.
3. Hole location is the location of the spacing holes, measured from the swivel connector pin.



CAUTION: There is a pinch point when closing the trigger and where both parts telescope.

**All material must be inspected prior to use!
See inspection guidelines on page 112.**