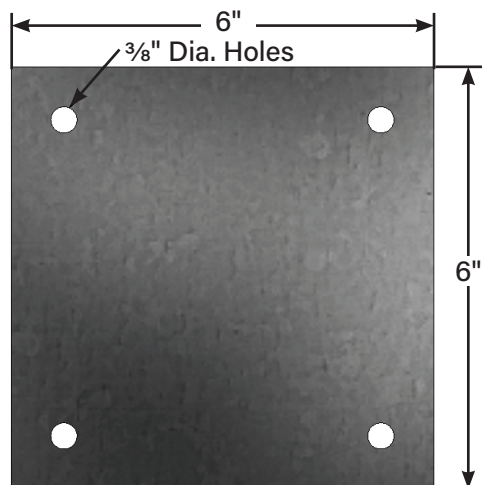
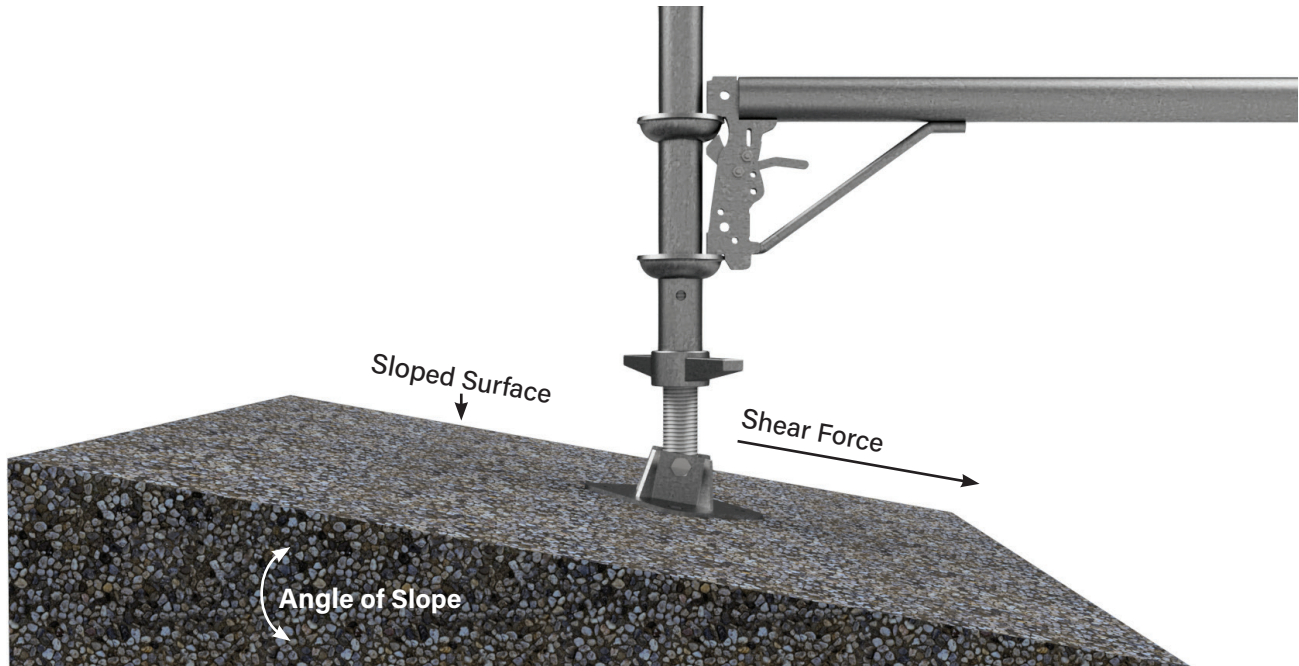


EXCEL MODULAR SWIVEL JACK

Part Number	Description	Weight (lbs.)	Maximum Allowable Load (lbs.) Load (P) When Angle of Slope 0°
SBJ	Swivel Base Screw Jack	7.5	5,000

Third-party manufactured component. Data may vary.



Swivel Base Screw Jack Base Plate



WARNING: Jack cannot be extended more than 12 inches above the base.

All material must be inspected prior to use!
See inspection guidelines on page 112.