

EXCEL MODULAR VERTICAL LEG HANGING BRACKET

Part Number	Description	Weight (lbs.)	Maximum Allowable Load (lbs.)
VLHB	Vertical Leg Hanging Bracket	15	7,500
VLC	Vertical Locking Clamp	9.5	2,400

The vertical leg hanging bracket allows the user to either hang a scaffold leg from the bottom of the bracket, or extend the scaffold up using the built-in coupling pin.

BUILD NOTES:

1. When suspending a scaffold, a vertical locking clamp shall be used and the load of the scaffold shall be taken into consideration when designing the scaffold.
2. Both the bottom and top bracket should always be installed when using the vertical leg hanging bracket.
3. Vertical leg hanging bracket spacers are used to fit beams that have a larger top flange and come in various sizes.
4. Flange minimum width is four (4) inches. Flange maximum width is seven (7) inches.

MATERIAL NOTE:

5. Spacer comes in three (3) sizes: one- (1) inch, two- (2) inch and four- (4) inch.

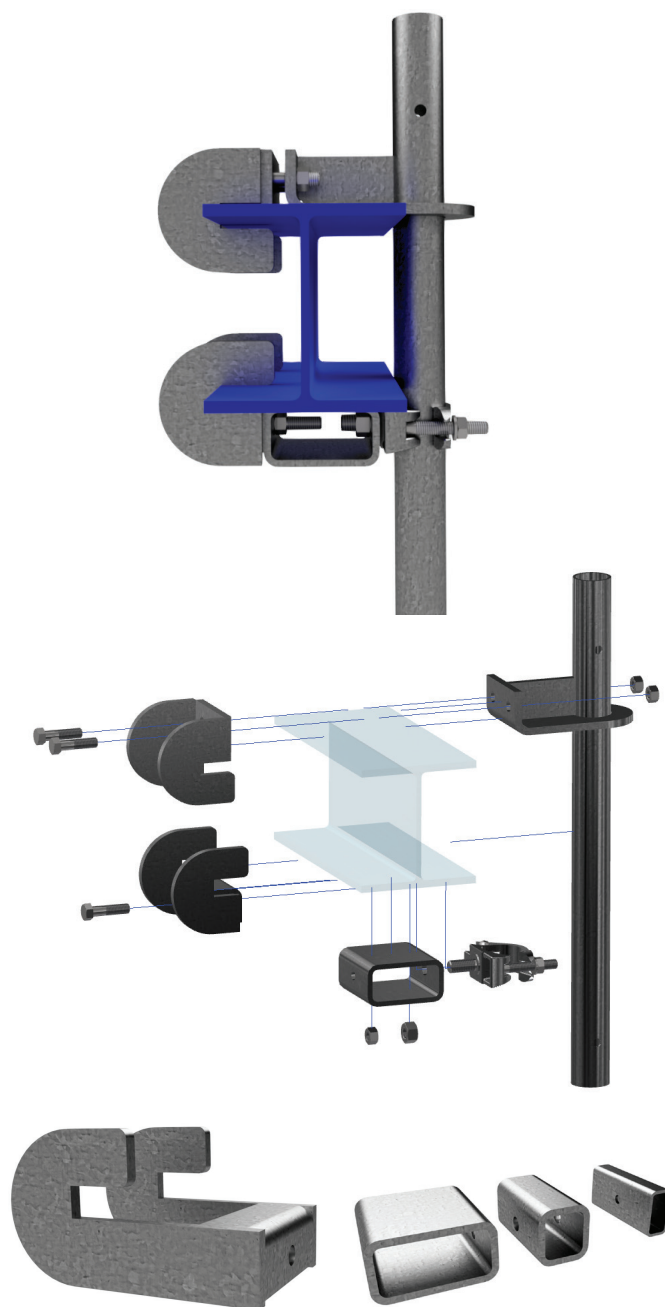


Clamp bolt tension greatly affects the slip loading.

Clamp bolts should be tightened between 40 and 65 lbs. tension. Overtightening could damage the threads, bolt or item the clamp is attached to. Undertightening could result in clamps slipping at lower than rated loads.



CAUTION: There is a pinch point located where beam sides are located on the clamp.



VERTICALS & ACCESSORIES

All material must be inspected prior to use! See inspection guidelines on page 43 of this manual.