

INTERMEDIATE AND HEAVY-DUTY INTERMEDIATE HORIZONTAL ADAPTERS

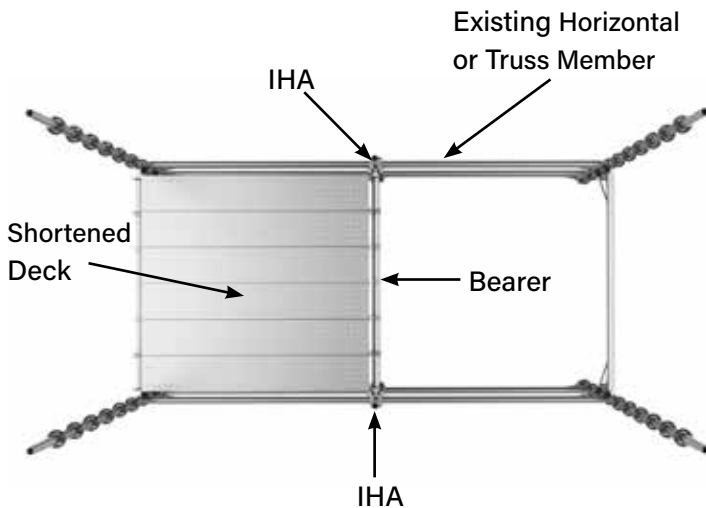
Part Number	Description	Weight (lbs.)	Maximum Vertical Load (lbs.)
IHA	Intermediate Horizontal Adapter	2	1,500
IHA-HD	Heavy-Duty Intermediate Horizontal Adapter	18	2,000



Intermediate Horizontal Adapter
(1998-2010, Run 4 - Run 45)



Heavy-Duty Intermediate Horizontal Adapter
(1998-2010, Run 4 - Run 45)



The intermediate horizontal adapter and heavy-duty intermediate horizontal adapter can be used to install a shortened board deck or handrails in the middle of an existing horizontal or truss. The load carrying capacity of the board deck is limited by the maximum allowable center load for the existing horizontal. Always deck to existing horizontals for greater load carrying ability.

Intermediate horizontal adapters and heavy-duty intermediate horizontal adapters should be used in sets, adding a horizontal that is used to provide additional support. Only a 10-cup leg or shorter may be used on top of an intermediate horizontal adapter, unless additional bracing is used. The bottom support and one (1) intermediate horizontal adapter can be replaced with other equivalent support (i.e., a horizontal at the first cup of the vertical on top of the intermediate horizontal adapter or tube and clamp bracing).



CAUTION: Do not pass material to another employee with the intermediate horizontal adapter attached.

BUILD NOTES:

1. When an intermediate horizontal adapter is supporting a board deck, the deck load must be limited to light-duty only.
2. Heavy-duty intermediate adapters installed with only two (2) handrails must be used in sets. Heavy-duty intermediate horizontal adapters can be used with only two (2) horizontals connected on the vertical. Heavy-duty intermediate horizontal adapters are not compatible with normal intermediate horizontal adapters.

**All material must be inspected prior to use!
See inspection guidelines on page 112.**

EXCEL MODULAR LOCKING INTERMEDIATE HORIZONTAL ADAPTER

Part Number	Description	Weight (lbs.)	Maximum Vertical Load (lbs.)
IHA-L	Locking Intermediate Horizontal Adapter	18	2,000



Locking Intermediate Horizontal Adapter with Pin
(2016–Present, Run 57 – Run 60)



Locking Intermediate Horizontal Adapter with Slide Lock
(2016–Present, Run 57 – Run 60)



Locking Intermediate Horizontal Adapter for Outer Deck
(2016–Present, Run 57 – Run 60)

The locking intermediate horizontal adapter is designed to replace both the intermediate horizontal adapter and the heavy-duty intermediate horizontal adapter. It provides a stronger connection, safer assembly and more flexibility than its predecessors.

The locking intermediate horizontal adapter can be used in any application that an intermediate horizontal adapter and the heavy-duty intermediate horizontal adapter can be used.

The locking intermediate horizontal adapter does not require a second intermediate horizontal adapter or another locking intermediate horizontal adapter on the opposite side of the scaffold. A lower horizontal can be installed to provide the needed support.

The locking intermediate horizontal adapter contains a locking button that prevents the adapter and the attached vertical from falling off the horizontal during assembly and disassembly.



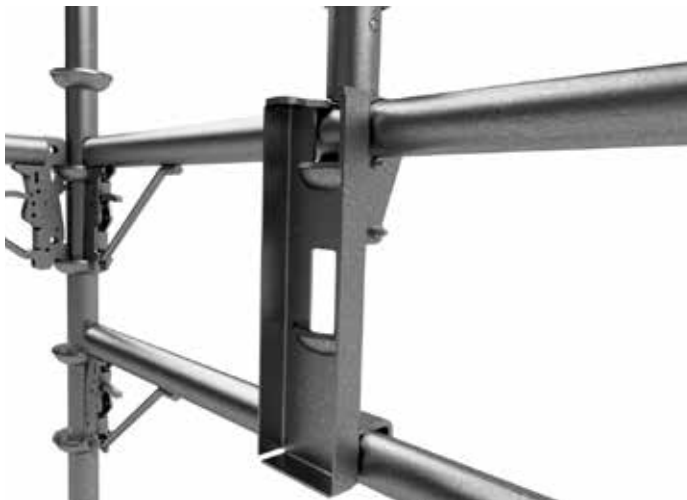
Locking Intermediate Horizontal Adapter
(2011–2015, Run 46 – Run 55)

**All material must be inspected prior to use!
See inspection guidelines on page 112.**

BRACING EXCEL HORIZONTAL BARS

WITH LOCKING INTERMEDIATE HORIZONTAL ADAPTER

Description	Vertical Post Spacing (inches)	Allowable Center Load	Allowable Uniform Load (1 Brace 18" from Center)	
		lbs.	lbs.	lbs./ft
60" Bearer, 6-Plank Bearer	60	1,250	2,500	500
6' Bearer	72	1,060	2,120	353
7' Bearer	84	820	1,640	234
Horizontal Ledger				
8' Ledger	96	640	1,280	160
9' Ledger	108	550	1,100	122
10' Ledger	120	500	1,000	100



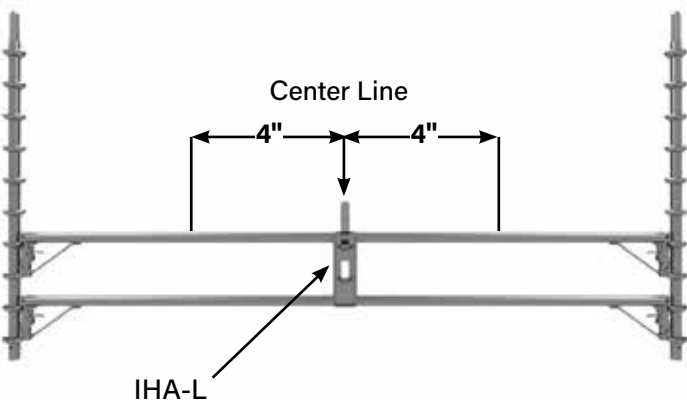
A locking intermediate horizontal adapter can be added to Excel horizontal bars when greater strength is required.

A locking intermediate horizontal adapter will NOT provide any additional support for uplift.

The locking intermediate horizontal adapter must be placed within four (4) inches of either side of the center of the horizontal.

BUILD NOTE:

1. Vertical leg may be the limiting load carrying member.
2. Horizontal bracing adds additional torque to the verticals, which must be considered when building heavy-duty or tall scaffolds.
3. Center load is applied to the center four (4) inches of the bearer or ledger.

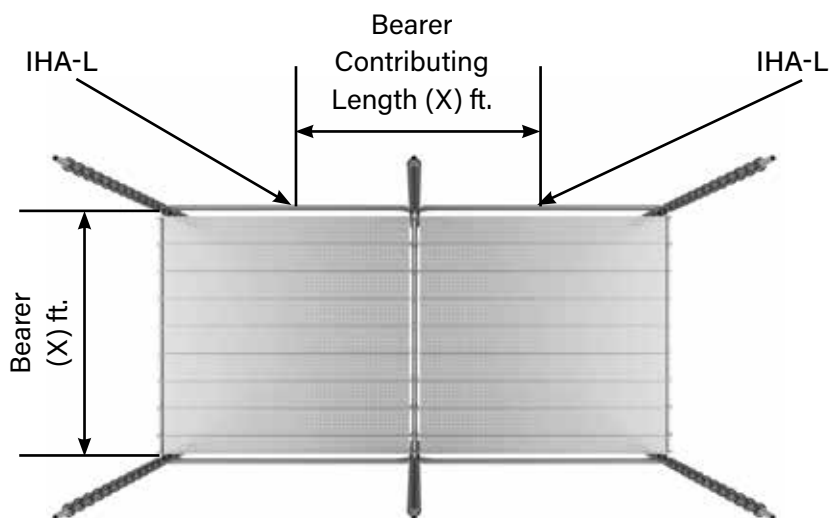


**All material must be inspected prior to use!
See inspection guidelines on page 112.**

EXCEL MODULAR HORIZONTAL BAR WITH LOCKING INTERMEDIATE HORIZONTAL ADAPTER CENTER BRACE

Bearer	Ledger Length											
		PB24	PB32	PB36	PB42	PB48	PB60	PB72	PB84	HL96	HL108	HL120
		24	32	36	42	48	60	72	84	96	108	120
PB60	60	250	188	167	143	125	100	83	71	63	56	50
PB72	72	177	133	118	101	88	71	59	50	44	39	35
PB84	84	117	88	78	67	59	47	39	33	29	26	23
HL96	96	80	60	53	46	40	32	27	23	20	18	16
HL108	108	61	46	41	35	31	24	20	17	15	14	12
HL120	120	50	38	33	29	25	20	17	14	13	11	10

Chart shows the allowable load per square foot when horizontal is braced as defined on page 52—Bracing Excel Horizontal Bars with Locking Intermediate Horizontal Adapter.
Chart shows the total allowable load per square foot (live load + dead load).



Continuous-Run Scaffold
Standard board layout.

All areas below 25 lbs./sq. ft. (in yellow) do not meet OSHA requirements for a light-duty scaffold. OSHA 1926.451 (a) 6 in conjunction with non-mandatory Appendix A, define uniform loads for scaffold types.

BUILD NOTE: Deck planking or vertical members may be the limiting load carrying member.



WARNING: Additional bracing is required for areas in yellow. Please consult with your qualified person and/or engineer.

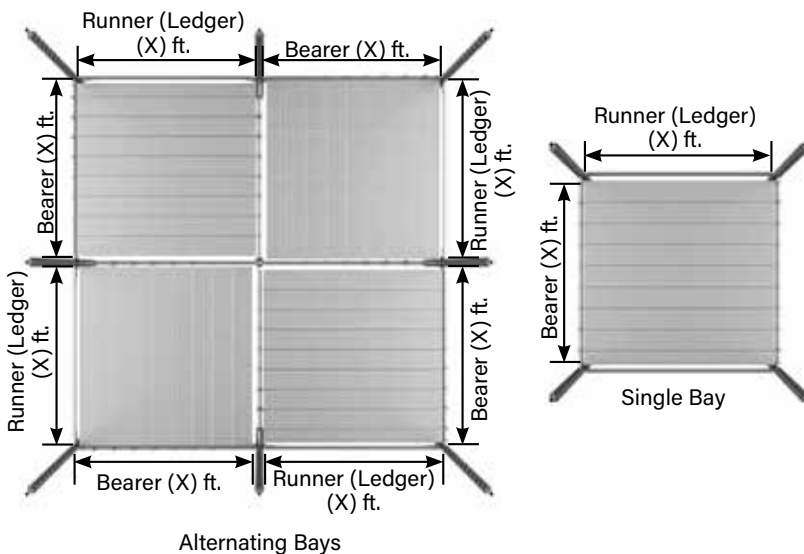
All material must be inspected prior to use! See inspection guidelines on page 112.

EXCEL MODULAR HORIZONTAL BAR

WITH LOCKING INTERMEDIATE HORIZONTAL ADAPTER CENTER BRACE

Bearer	Ledger Length											
	Length (inches)	PB24	PB32	PB36	PB42	PB48	PB60	PB72	PB84	HL96	HL108	HL120
PB24	24	1125	844	750	643	563	450	375	321	281	250	225
PB32	32	574	431	383	328	287	230	191	164	144	128	115
PB36	36	340	255	227	194	170	136	113	97	85	76	68
PB42	42	286	214	190	163	143	114	95	82	71	63	57
PB48	48	225	169	150	129	113	90	75	64	56	50	45
PB60	60	125	94	83	71	63	50	42	36	31	28	25
PB72	72	88	66	59	50	44	35	29	25	22	20	18
PB84	84	59	44	39	33	29	23	20	17	15	13	12
HL96	96	40	30	27	23	20	16	13	11	10	9	8
HL108	108	31	23	20	17	15	12	10	9	8	7	6
HL120	120	25	19	17	14	13	10	8	7	6	6	5

Chart shows the allowable load per square foot when horizontal is braced as defined on page 52—Bracing Excel Horizontal Bars with Locking Intermediate Horizontal Adapter. Chart shows the total allowable load per square foot (live load + dead load).



All areas below 25 lbs./sq. ft. (in yellow) do not meet OSHA requirements for a light-duty scaffold. OSHA 1926.451 (a) 6 in conjunction with non-mandatory Appendix A, define uniform loads for scaffold types.

BUILD NOTES:

1. Bearer supports the boards and has the locking intermediate horizontal adapter installed at the center of the horizontal.
2. Deck planking or vertical members may be the limiting load carrying member.



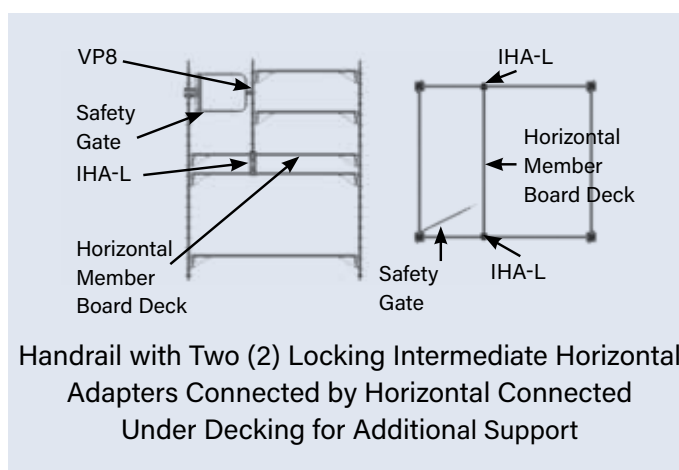
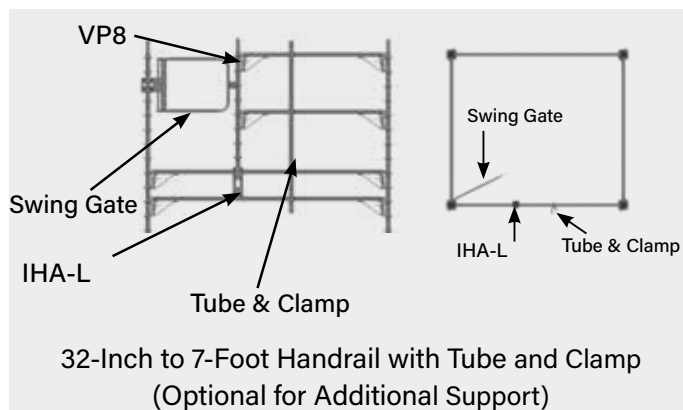
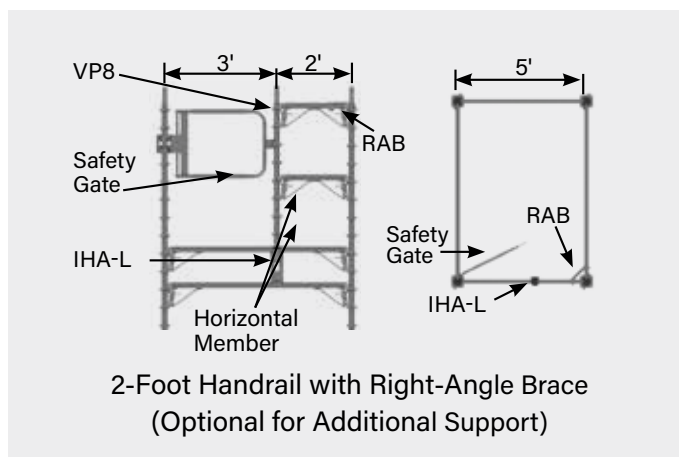
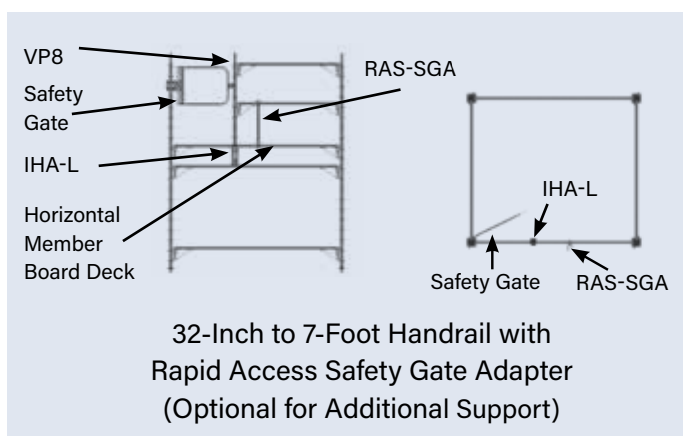
WARNING: Additional bracing is required for areas in yellow. Please consult with your qualified person and/or engineer.

**All material must be inspected prior to use!
See inspection guidelines on page 112.**

EXCEL MODULAR LOCKING INTERMEDIATE HORIZONTAL ADAPTER FOR SAFETY GATE ACCESS

Description Spacing for VP8 & IHA-L When Used with 36" Safety Gate	Top Handrail Length (inches)	Load at Top of VP8 (lbs.)	Recommended Additional Bracing Components
2' Bearer+3' SG2 = 5' Bay	24	200	RAB
3' Bearer+3' SG2 = 6' Bay	36	200	RAB or RAS-SGA
4' Bearer+3' SG2 = 7' Bay	48	200	RAS-SGA or Tube and clamp
5' Bearer+3' SG2 = 8' Bay	60	200	RAS-SGA or Tube and clamp
6' Bearer+3' SG2 = 9' Bay	72	200	RAS-SGA or Tube and clamp
7' Bearer+3' SG2 = 10' Bay	84	200	RAS-SGA or Tube and clamp

RAB = Right Angle Brace RAS-SGA = Rapid Access System Safety Gate Adapter (See Custom Component Manual)



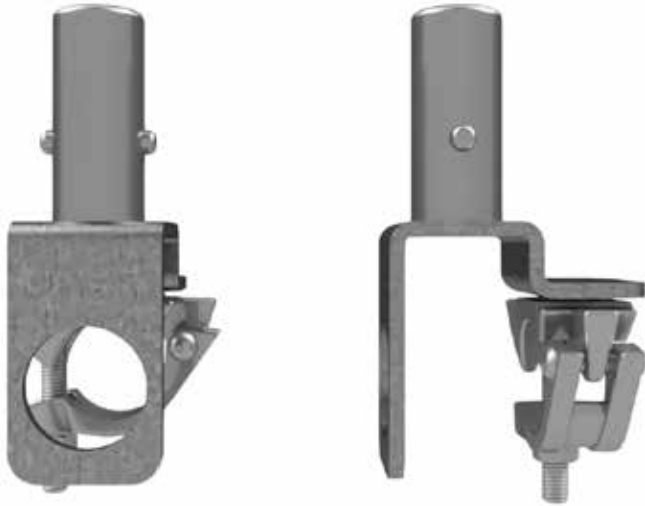
BUILD NOTES:

1. Vertical leg may have significant play without the installation of one the recommended additional bracings listed above.
2. When using 24-inch bearers for top handrail, a right-angle brace should be used due to the configuration of the component.

**All material must be inspected prior to use!
See inspection guidelines on page 112.**

INTERMEDIATE HORIZONTAL ADAPTER WITH CLAMP

Part Number	Description	Weight (lbs.)	Maximum Vertical Load (lbs.)
IHA-C	Intermediate Horizontal Adapter w/Clamp	3.5	1,500



The intermediate horizontal adapter w/clamp can be used like a regular intermediate horizontal adapter. The loading and installation requirements are the same as the intermediate horizontal adapter (pg 50).

The intermediate horizontal adapter w/clamp should be used in sets, adding a tube that is used to provide additional support. The bottom support and one intermediate horizontal adapter w/ clamp can be replaced with other equivalent support.

The maximum load that can be placed on the intermediate horizontal adapter w/clamp is equal to the maximum center load of the horizontal or truss it is installed on, or the rated load of the intermediate horizontal adapter w/clamp, whichever is less. Only a 10-cup leg or shorter may be used on top of a horizontal adapter unless additional bracing is used.

BUILD NOTES:

1. To install the intermediate horizontal adapter w/clamp, attach both connectors to the horizontal and then slide a piece of tube under the deck through the clamps as shown.
2. **When an intermediate horizontal adapter w/ clamp is supporting a board deck, the deck load must be limited to light-duty only.**
3. Horizontal supports must be installed as defined for intermediate horizontal adapters.
4. Intermediate horizontal adapters w/clamps should never be used to support rigging.



Clamp bolts should have between 40 and 65 lbs. tension. Overtightening could damage the threads, bolt or item the clamp is attached to.



CAUTION: Do not pass material to another employee with the intermediate horizontal adapter w/clamp attached.

**All material must be inspected prior to use!
See inspection guidelines on page 112.**