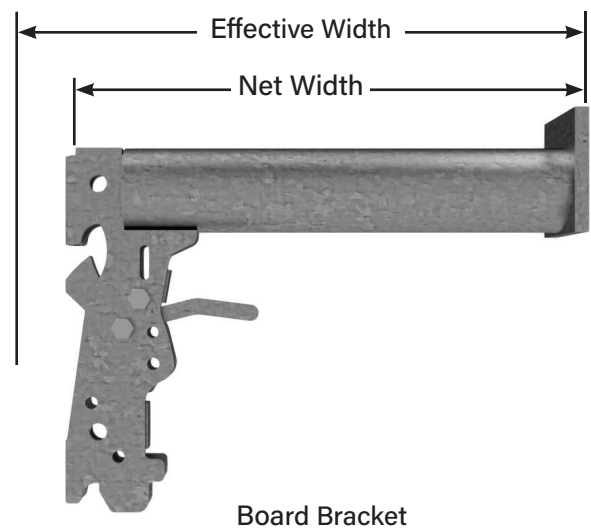
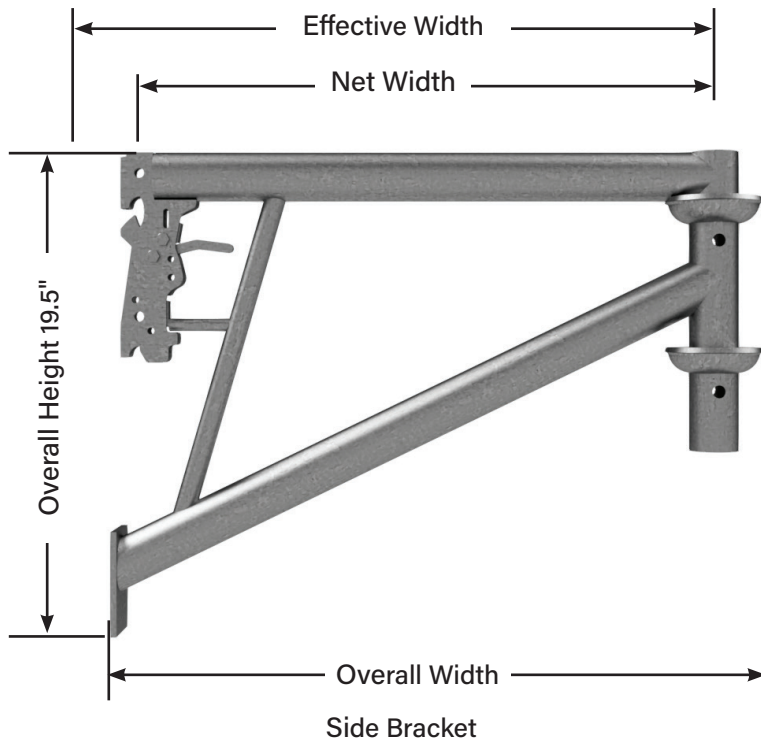


EXCEL MODULAR BOARD BRACKET AND SIDE BRACKET

Part Number	Description	Effective Width (inches)	Net Width (inches)	Overall Width	Overall Height	Weight Galvanized (lbs.)
BB12	12" Board Bracket	12	11	—	—	4.8
BB12-L	12" Board Bracket Locking	12	11	—	—	5
SB24	2' Side Bracket (with pin)	24	20.5	26	19.5	14.5
SB32	32" Side Bracket (with pin)	32	30.5	34	19.5	21.2
SB36	3' Side Bracket (with pin)	36	34.5	38	19.5	23.3



Board Bracket

Excel side brackets provide an easy alternative to secure knee-outs from one (1) to three (3) feet.

The only difference between the two board brackets is the 12-inch board bracket locking has a locking pin to hold the boards down.

MATERIAL SPECS: All tubing is 1.90 diameter, 11-gauge (0.120 wall), high-strength, minimum 65,000 yield, and 75,000 tensile.



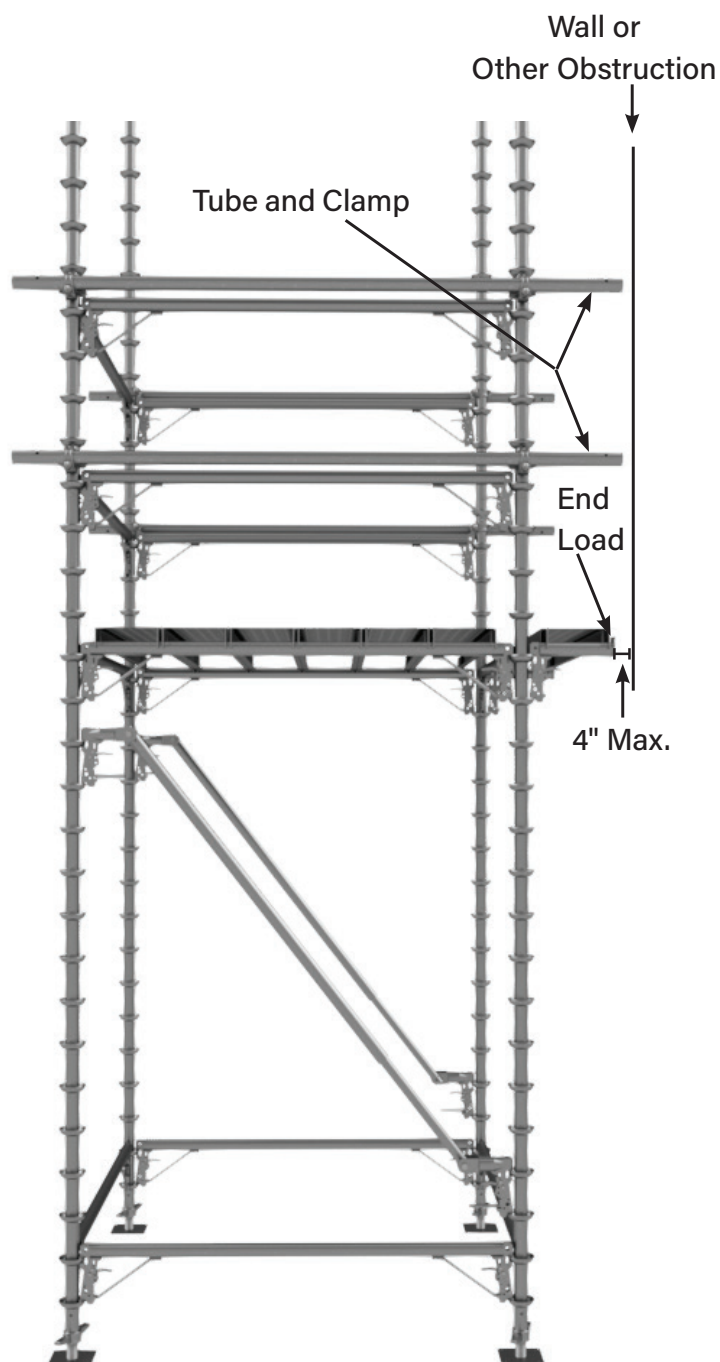
CAUTION: There is a pinch point when closing the trigger.

Check that the vertical pin is properly secured before handling.

**All material must be inspected prior to use!
See inspection guidelines on page 112.**

EXCEL MODULAR BOARD BRACKET

Part Number	Description	Maximum Uniform Load (lbs. per ft.)	Maximum Load on End (lbs.)
BB12	12" Board Bracket	500	500
BB12-L	12" Board Bracket Locking	500	500



BUILD NOTES:

1. The board brackets shall not be used as a handrail or mid-rail.
2. When used as a board deck, there must be a wall or other obstruction within four (4) inches to prevent falling.



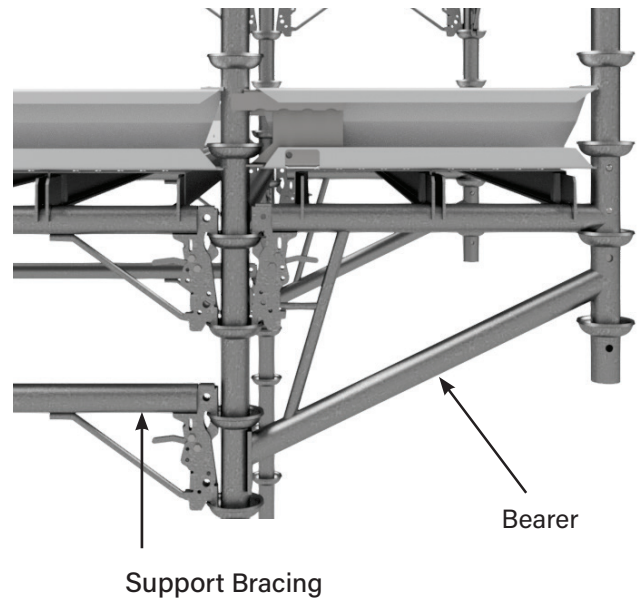
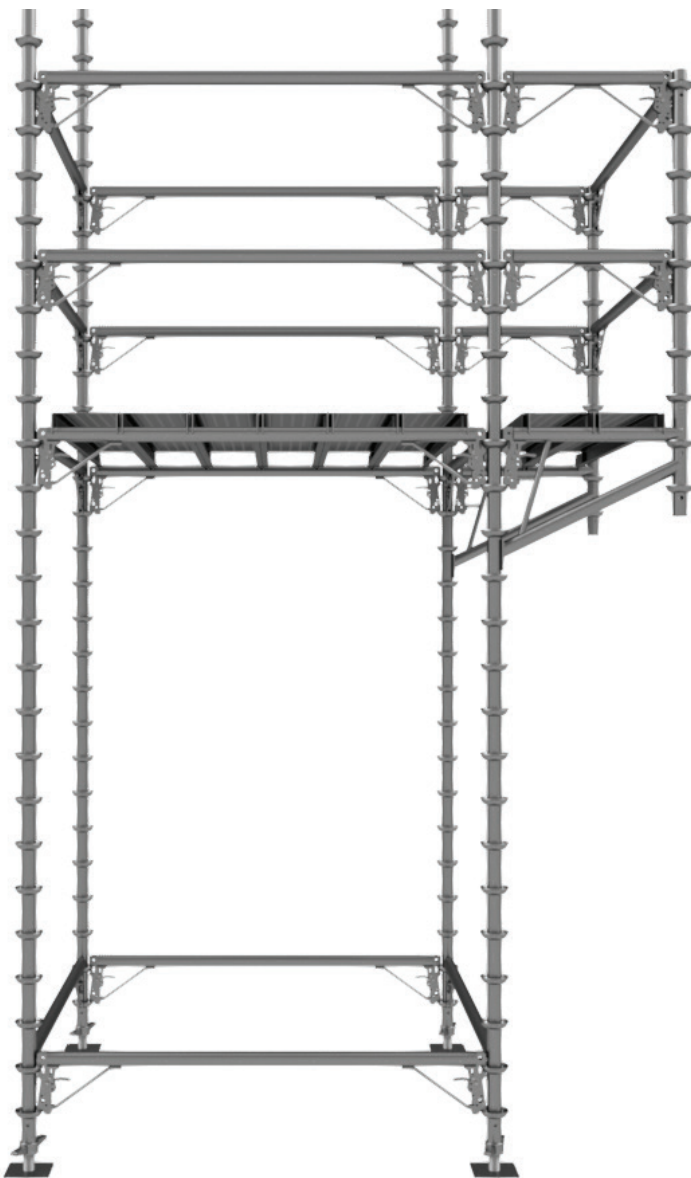
CAUTION: There is a pinch point when closing the trigger and at the locking pin of the 12-inch board bracket locking.

**All material must be inspected prior to use!
See inspection guidelines on page 112.**



EXCEL MODULAR SIDE BRACKET

Part Number	Description	Maximum Uniform Load (lbs. per ft.)	Maximum Load on End (lbs.)
SB24	2' Side Bracket (with pin)	500	500
SB32	32" Side Bracket (with pin)	400	500
SB36	3' Side Bracket (with pin)	330	500



**All material must be inspected prior to use!
See inspection guidelines on page 112.**

The bottom horizontal, used for support bracing, is only required for heavy-duty scaffolds or scaffolds with two (2) or more decks above the side bracket.

BUILD NOTE: Only verticals required for handrails and mid-rails should be added.



WARNING: Only one (1) deck can be supported by any side bracket without any additional bracing.



CAUTION: There is a pinch point when closing the trigger.

EXCEL MODULAR SIDE BRACKET AND CANTILEVER DECK LOADING

Bearer	Ledger Length											
	Length (inches)	PB24	PB32	PB36	PB42	PB48	PB60	PB72	PB84	HL96	HL108	HL120
BB12	12	250	188	167	143	125	100	83	71	63	56	50
SB24	24	125	94	83	71	63	50	42	36	31	28	25
SB32	32	100	75	67	57	50	40	33	29	25	22	20
SB36	36	83	62	55	47	41	33	28	24	21	18	17
PB42	42	71	53	48	41	36	29	24	20	18	16	14
PB48	48	63	47	42	36	31	25	21	18	16	14	13
PB60	60	50	38	33	29	25	20	17	14	13	11	10

Chart shows the total allowable load per square foot (live load + dead load).

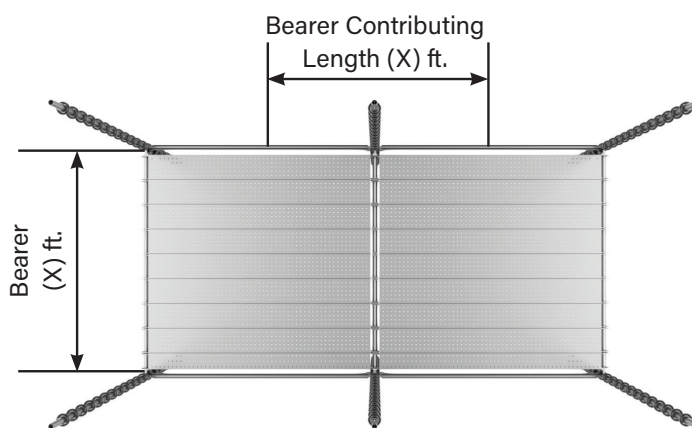
All areas below 25 lbs./sq. ft. (in yellow) do not meet OSHA requirements for a light-duty scaffold. OSHA 1926.451 (a) 6 in conjunction with non-mandatory Appendix A, define uniform loads for scaffold types.

BUILD NOTES:

1. Deck planking or vertical members may be the limiting load carrying member.
2. Stability of the scaffold to prevent tipping must be considered when using any side bracket cantilever design.



WARNING: Additional bracing is required for areas in yellow. Please consult with your qualified person and/or engineer.



Standard board layout using the side bracket cantilever as the bearer.

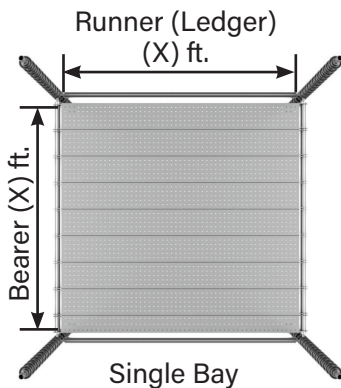
All material must be inspected prior to use! See inspection guidelines on page 112.



EXCEL MODULAR SIDE BRACKET AND CANTILEVER MAX DECK LOADING

Bearer	Ledger Length											
	Length (inches)	PB24	PB32	PB36	PB42	PB48	PB60	PB72	PB84	HL96	HL108	HL120
BB12	12	500	375	333	286	250	200	167	143	125	111	100
SB24	24	250	188	167	143	125	100	83	71	63	56	50
SB32	32	200	150	133	114	100	80	67	57	50	44	40
SB36	36	165	124	110	94	83	66	55	47	41	37	33
PB42	42	143	107	95	81	71	57	48	41	36	32	29
PB48	48	125	94	83	71	63	50	42	36	31	28	25
PB60	60	100	75	67	57	50	40	33	29	25	22	20

Chart shows the total allowable load per square foot (live load + dead load).



Standard board layout using the side bracket cantilever as the bearer.



WARNING: Additional bracing is required for areas in yellow. Please consult with your qualified person and/or engineer.

All material must be inspected prior to use! See inspection guidelines on page 112.

All areas below 25 lbs./sq. ft. (in yellow) do not meet OSHA requirements for a light-duty scaffold. OSHA 1926.451 (a) 6 in conjunction with non-mandatory Appendix A, define uniform loads for scaffold types.

BUILD NOTES:

1. Bearer supports the boards.
2. Deck planking or vertical members may be the limiting load carrying member.
3. Stability of the scaffold to prevent tipping must be considered when using any side bracket cantilever design.